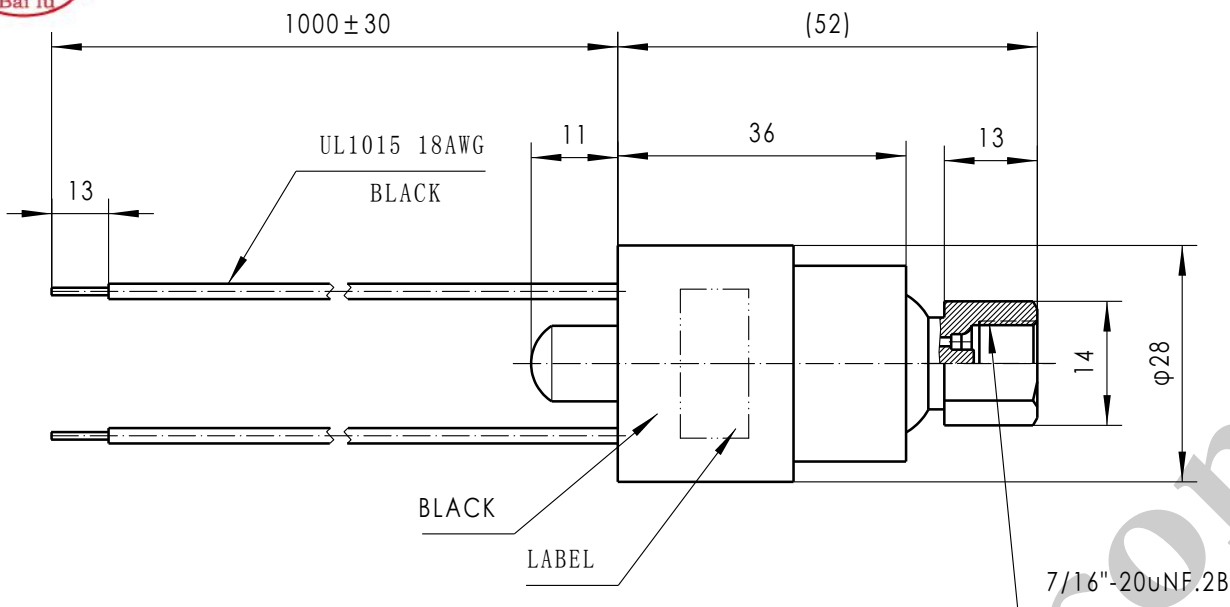




UNIT: mm



BLPS-YKM OPEN:375±10PSI
 039-375K MANUAL.RESET:280±10PSI

TECHNICAL SPECIFICATIONS

ACTUATION/OPEN PRESSURE_ _ 375+/-10PSI
 MANUAL RESET PRESSURE_ _ 280+/-10PSI
 PROOF PRESSURE_..... _ 650 PSI
 BURST PRESSURE_ _ 5000 PSI
 TEMPERATURE RANGE_ _ Ambient:-30°C to +80°C
 Fluid: -50°C to +120°C
 ELECTRICAL RATING_ _ 50/60Hz, 36VDC, 3A
 Voltage Amperage
 24 125VA pilot duty
 120 375VA pilot duty
 240 375VA pilot duty
 LIFE AT RATED LOAD_ _ 30,000 Cycles
 DIELECTRONIC STRENGTH_ _ 750 VRMS open switch
 1550 VRMS terminals to fitting
 SWITCH CONFIGURATION_ _ SPST, at atmospheric pressure:CLOSED

PREESSURE SWITCH DRAWING

CUSTOMER NAME:

CUSTOMER P/N:

BLPS-YKM 039-375K